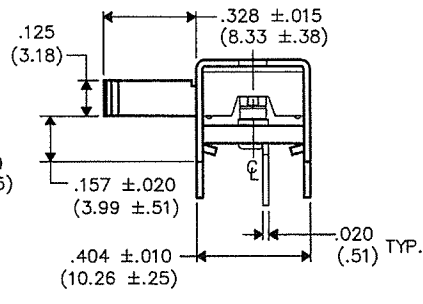
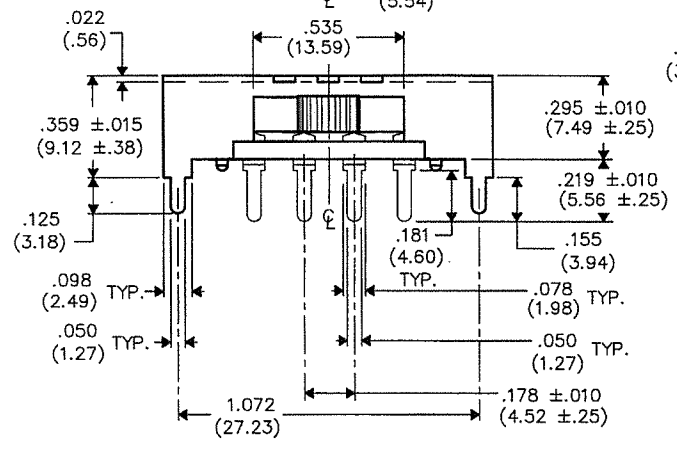
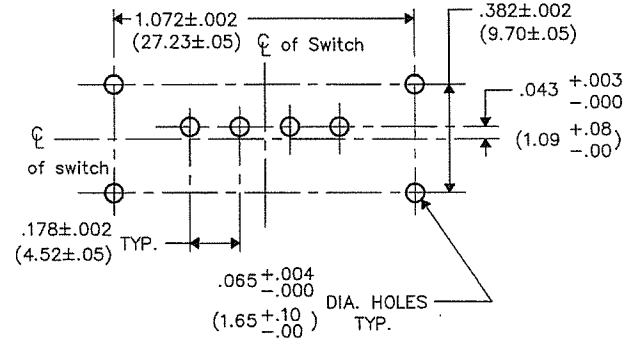
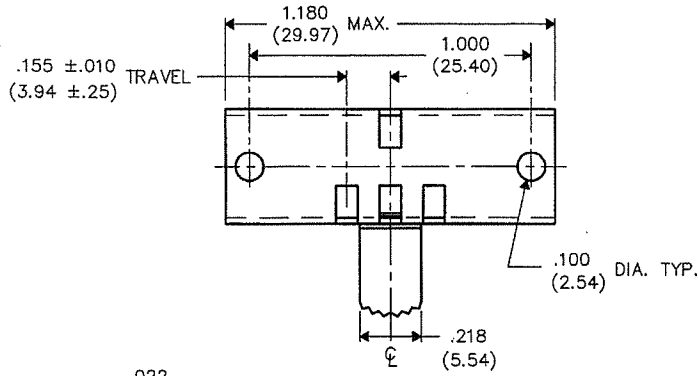


DIMENSIONS IN INCHES (MILLIMETERS)  
DO NOT SCALE DRAWING .....

Dwg. No.  
**GPI-153-0008**

**P.C. LAYOUT**



F  
D  
C  
B  
A  
 THIS INFORMATION IS CONFIDENTIAL AND PROPRIETARY TO CW INDUSTRIES INCORPORATED AND ITS AFFILIATES. IT MAY NOT BE DISCLOSED TO ANYONE, OTHER THAN CW INDUSTRIES PERSONNEL, WITHOUT WRITTEN AUTHORIZATION FROM CW INDUSTRIES INCORPORATED, SOUTHAMPTON, PENNSYLVANIA, U.S.A.

B-FORMAT 2002  
**REVISIONS**  
 0  
 RELEASED  
 DCW  
 JUN 10 2010

**ATTENTION**

THIS DRAWING AND ITS ATTACHMENTS, IF ANY, ARE PROPRIETARY TO CW INDUSTRIES AND DESCRIBE DESIGNS THAT ARE CONFIDENTIAL AND MUST NOT BE DISCLOSED UNLESS AUTHORIZED, IN WRITING, BY AN OFFICER OF CW INDUSTRIES.....

PDF FILE MADE	<b>CW INDUSTRIES</b> Southampton, Pa. 18966		Title: <b>SWIDGET ASSEMBLY S.P.- 3 POS. SYDEWYNDER (PLUG-IN)</b>	
	<b>TOLERANCES UNLESS OTHERWISE SPECIFIED</b> 2 Place Decimal ±.010 METRIC 3 Place Decimal ±.005 1 Place Dec. ±.25mm Angles ..... ±1° 2 Place Dec. ±.13mm		Division: <b>SWITCH</b>	
Made for: CW IND.		Dwg. No. <b>GPI-153-0008</b>		
Drawn by: DGW 6-10-2010		Checked by: <i>G. Guld 6-11-10</i>		
Approval: <i>G. Guld 6-11-10</i>				

**MASTER MASTER**